

ZONE	REV	SCR NUMBER	DESCRIPTION	BY	DATE	APPROVED
ALL	A	AASY-823JTX.VER01	NEW RELEASE	HCL-MH	02/16/2010	D.SMITH

9 5 1 - 5 X 0 E - X X X

XCede BACKPLANE MODULE MALE STANDARD LOAD

5 PAIR

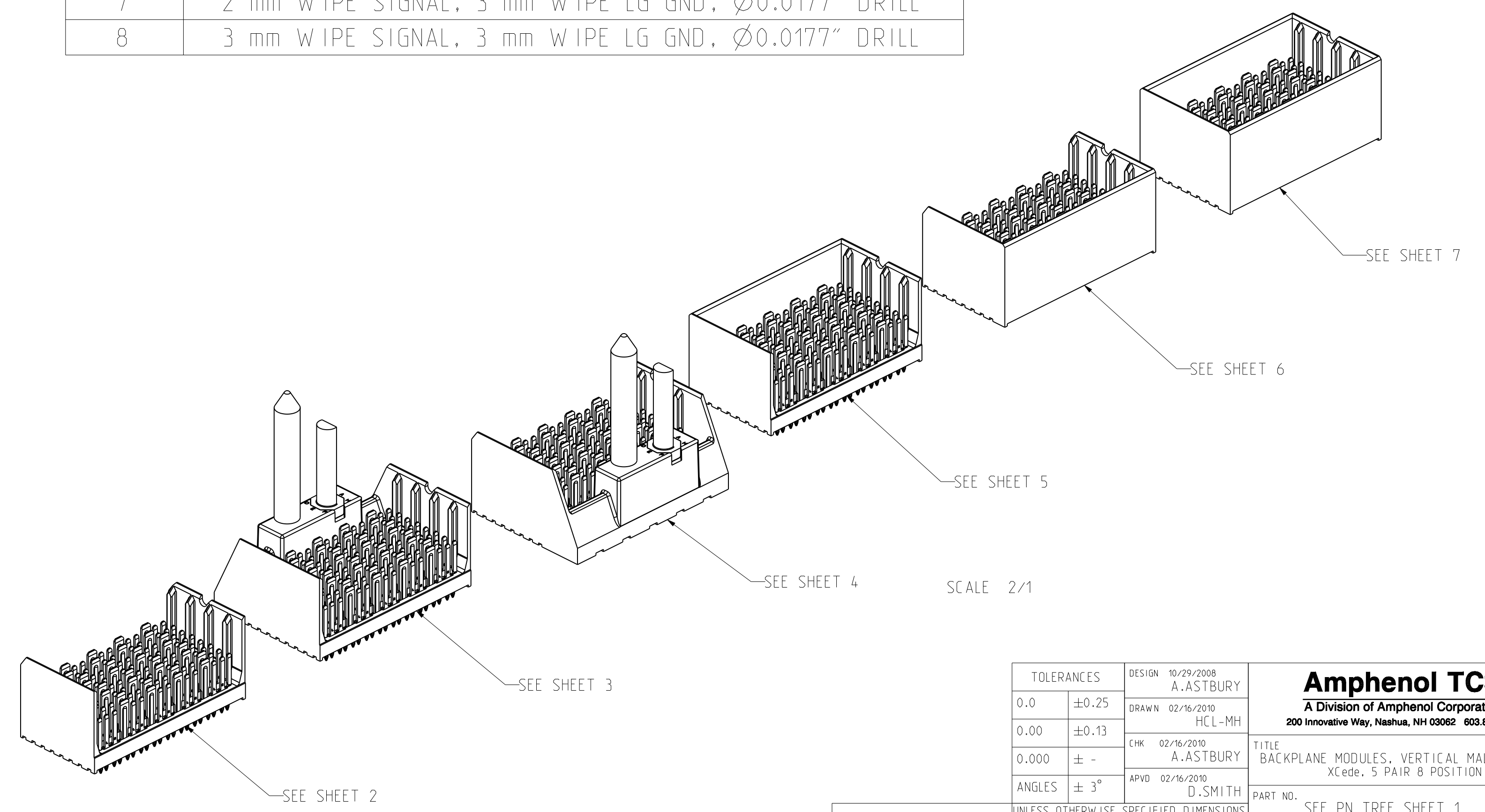
8 POSITION

LETTER	PLATING
B	30 MICROINCH GOLD
C	50 MICROINCH GOLD
D	30 MICROINCH GOLD, LEADFREE
E	50 MICROINCH GOLD, LEADFREE

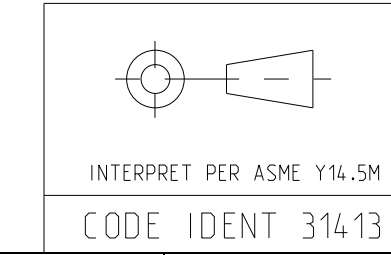
NUMBER	PIN STYLE, HEIGHT
0	GUIDE PIN MACHINED, 31.6mm / NONE
1	GUIDE PIN ROLLED, 31.6mm

NUMBER	SIGNAL & LG. GROUND WIPE LENGTH, COMPLIANT PIN SIZE
1	2 mm WIPE SIGNAL, 4 mm WIPE LG GND, Ø0.0217" DRILL
2	3 mm WIPE SIGNAL, 4 mm WIPE LG GND, Ø0.0217" DRILL
3	2 mm WIPE SIGNAL, 4 mm WIPE LG GND, Ø0.0177" DRILL
4	3 mm WIPE SIGNAL, 4 mm WIPE LG GND, Ø0.0177" DRILL
5	2 mm WIPE SIGNAL, 3 mm WIPE LG GND, Ø0.0217" DRILL
6	3 mm WIPE SIGNAL, 3 mm WIPE LG GND, Ø0.0217" DRILL
7	2 mm WIPE SIGNAL, 3 mm WIPE LG GND, Ø0.0177" DRILL
8	3 mm WIPE SIGNAL, 3 mm WIPE LG GND, Ø0.0177" DRILL

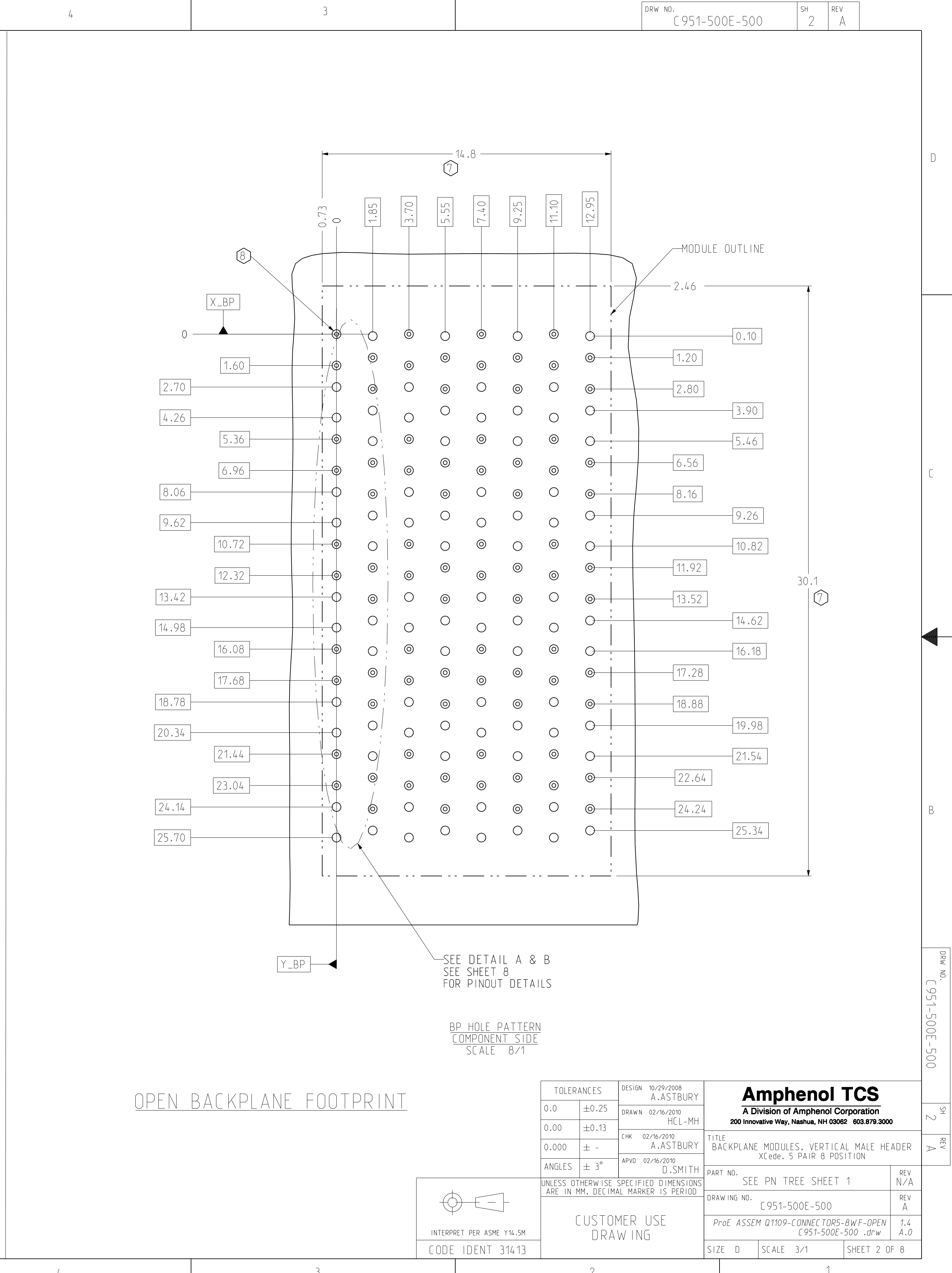
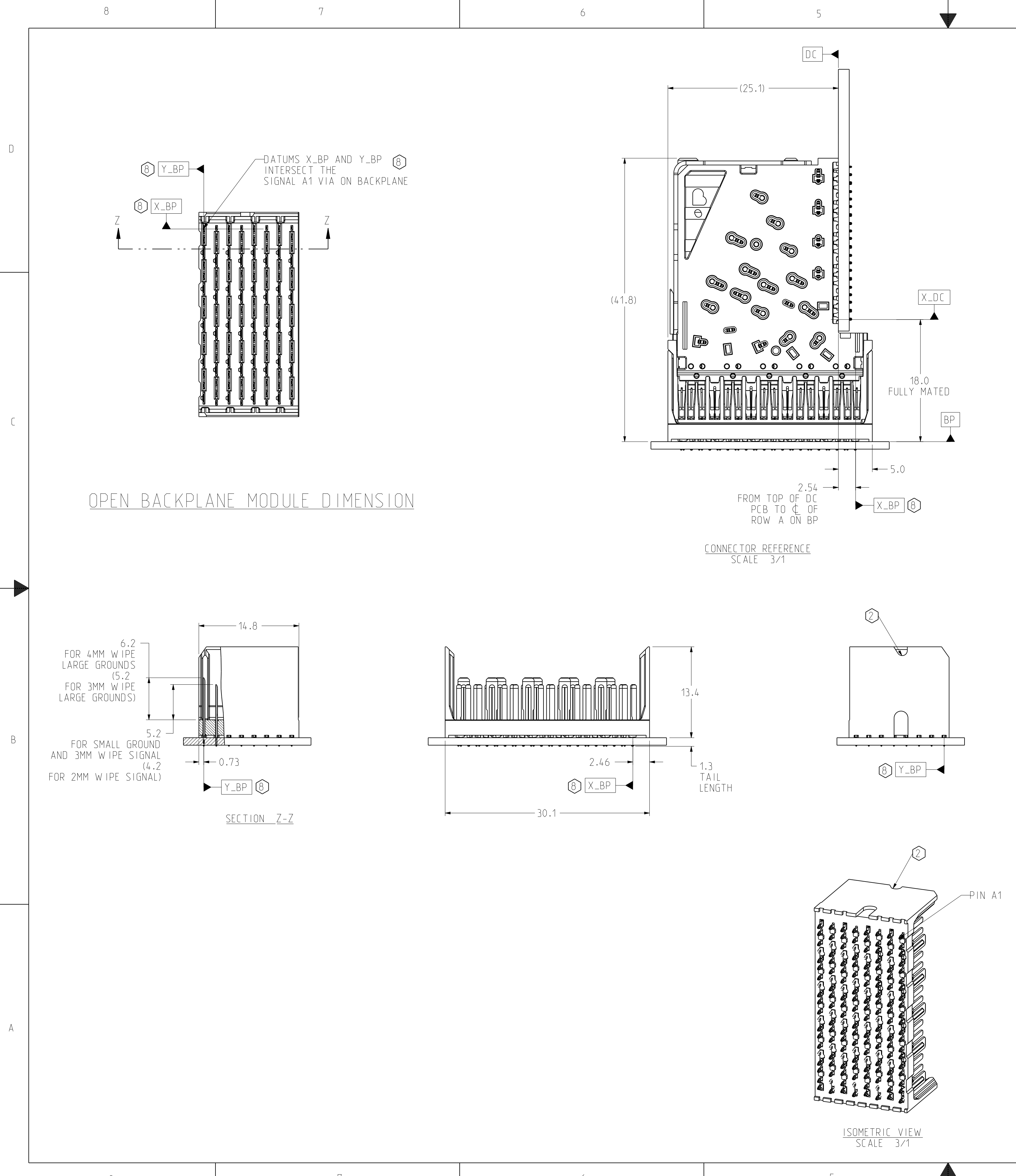
	LETTER									
LEFT POLARIZING GUIDANCE (SEE SHEET 3)	N	J (NO KEY)	A	B	C	D	E	F	G	H
	NO KEY NO GUIDE PIN									
RIGHT POLARIZING GUIDANCE (SEE SHEET 4)	Z	Y (NO KEY)	P	Q	R	S	T	U	V	W
	NO KEY NO GUIDE PIN									
OPEN (SEE SHEET 2)	O (ZERO)									
LEFT WALL (SEE SHEET 5)	L									
RIGHT WALL (SEE SHEET 6)	M									
TWO WALL (SEE SHEET 7)	1									



- NOTES:
- REFER TO TB-2150 FOR XCede PRODUCT SPECIFICATIONS.
 - NOTCH DESIGNATES "ROW A" SIDE OF SHROUD. NOTCH FEATURE ON OPPOSITE SIDE FROM PART MARKING.
 - PART MARKING AS FOLLOWS:
 LINE 1: "ATCS" AND DATECODE (ATCS YYWW).
 LINE 2: MODULE PART NUMBER (951-###-###).
 LINE 3: WORK ORDER NUMBER (#####).
 WHERE "*" DENOTES MANUFACTURING LOCATION.
 - PLATING THICKNESS OF SIGNAL CONTACT AND GROUND CONTACT IS DETERMINED BY PLATING CODE. SEE PART NUMBER TREE SHEET 1.
 - REPAIR PROCEDURE FOR MODULE. SEE TB-2210.
 - SEE TB-2149 FOR ROUTING GUIDELINES & PTH REQ'S.
 - SEE DOC C190-1001-000 FOR TOOLING KEEPOUT ZONES.
 - BACKPLANE DATUM REFERENCE.
 - OPTIONAL HOLE/MOUNTING SCREW LOCATION FOR GROUNDED PIN OR ADDITIONAL GUIDE PIN SUPPORT. REFER TO TB-2211 FOR PROPER GUIDE PIN SELECTION AND DRAWING C942-4010-000 FOR OPTIONAL HOLE DETAIL. ONLY APPLIES FOR MACHINED GUIDE PIN APPLICATIONS.
 - DIMENSIONS APPLY FOR BOTH COMPLIANT PIN SIZES.



TOLERANCES	DESIGN 10/29/2008 A.ASTBURY	Amphenol TCS A Division of Amphenol Corporation 200 Innovative Way, Nashua, NH 03062 603.879.3000	TITLE	BACKPLANE MODULES, VERTICAL MALE HEADER XCede, 5 PAIR 8 POSITION
0.0 ±0.25	DRAWN 02/16/2010 HCL-MH		PART NO.	SEE PN TREE SHEET 1
0.00 ±0.13	CHK 02/16/2010 A.ASTBURY		DRAWING NO.	C951-500E-500
0.000 ± -	APVD 02/16/2010 D.SMITH		PROE ASSEM	C951-5--BPS-8W/F C951-500E-500 .drg
ANGLES ± 3°	UNLESS OTHERWISE SPECIFIED DIMENSIONS ARE IN MM. DECIMAL MARKER IS PERIOD.		SIZE	D
CUSTOMER USE DRAWING			SCALE	1/2
			SHEET	1 OF 8



TOLERANCES		DESIGN 10/29/2008 A.ASTBURY	Amphenol TCS A Division of Amphenol Corporation 200 Innovative Way, Nashua, NH 03062 603.879.3000
0.0	±0.25	DRAWN 02/16/2010 HCL-MH	
0.00	±0.13	CHK 02/16/2010 A.ASTBURY	
0.000	± -	APVD 02/16/2010 D.SMITH	
ANGLES ± 3°		TITLE BACKPLANE MODULES, VERTICAL MALE HEADER XCede, 5 PAIR B POSITION	
UNLESS OTHERWISE SPECIFIED DIMENSIONS ARE IN MM. DECIMAL MARKER IS PERIOD			PART NO. SEE PN TREE SHEET 1
CUSTOMER USE DRAWING			REV N/A
DRAWING NO. C951-500E-500			REV A
ProE ASSEM Q1109-CONNECTORS-BWF-OPEN C951-500E-500.drw			1.4 A.O.
SIZE D	SCALE 3/1	SHEET 2 OF 8	

INTERPRET PER ASME Y14.5M
CODE IDENT 31413

DRW NO. C951-500E-500 SH 2 REV A

8

7

6

5

4

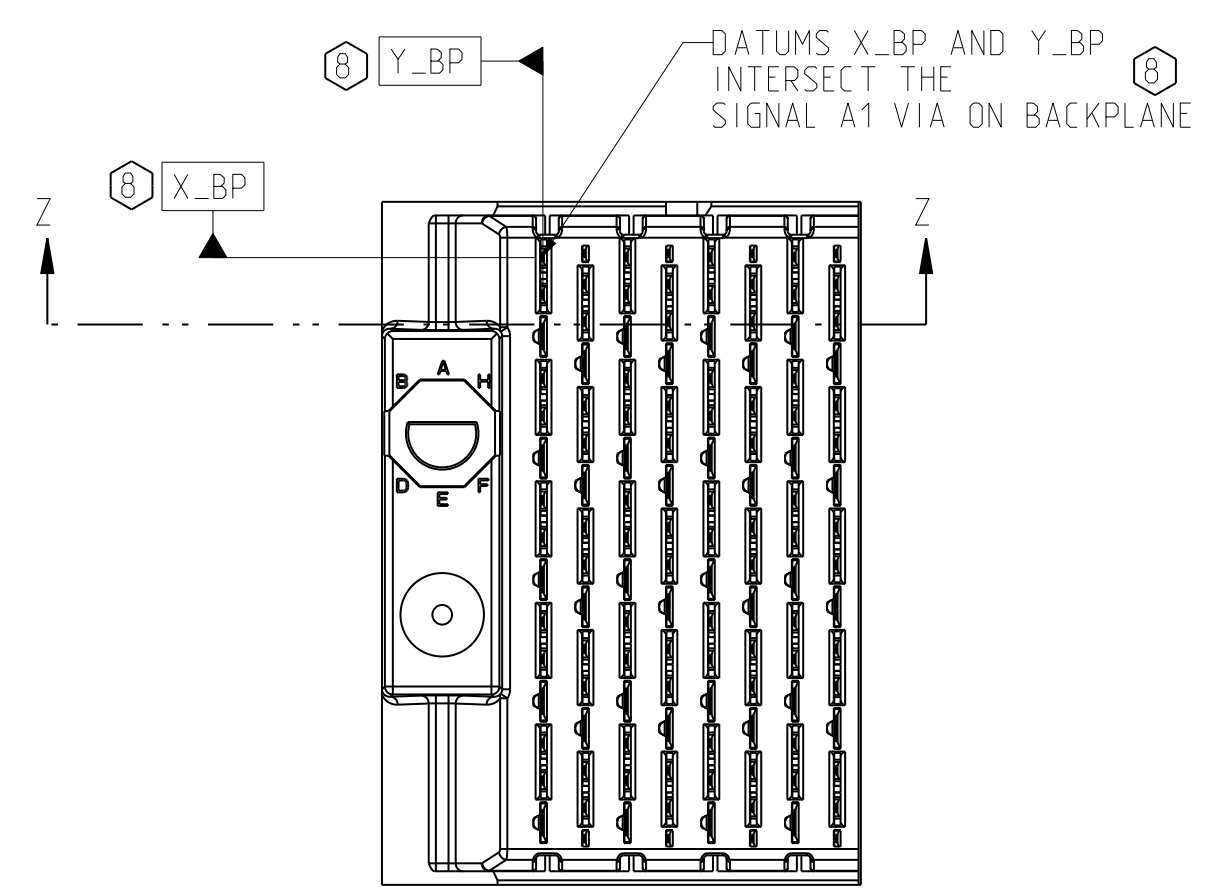
3

D

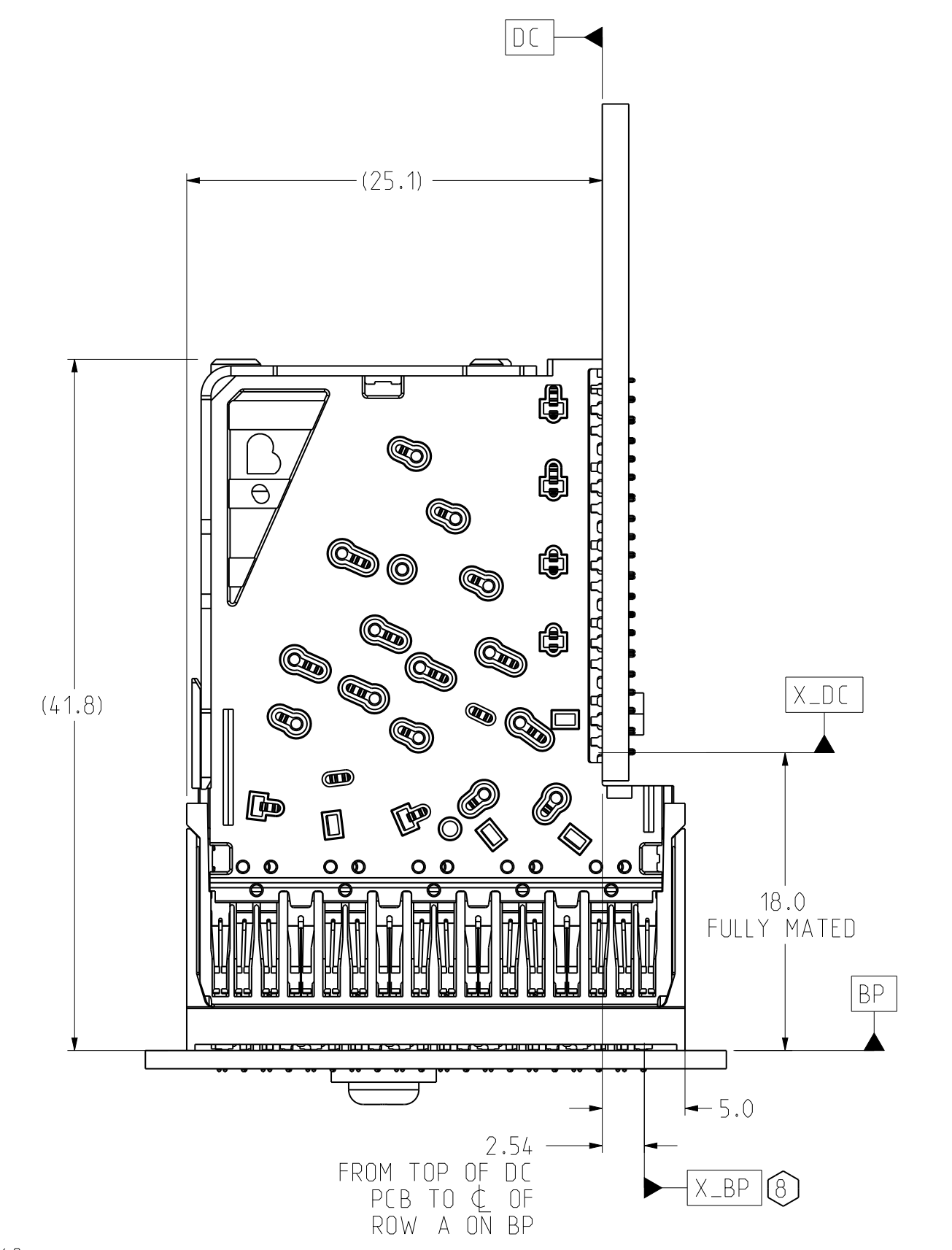
C

B

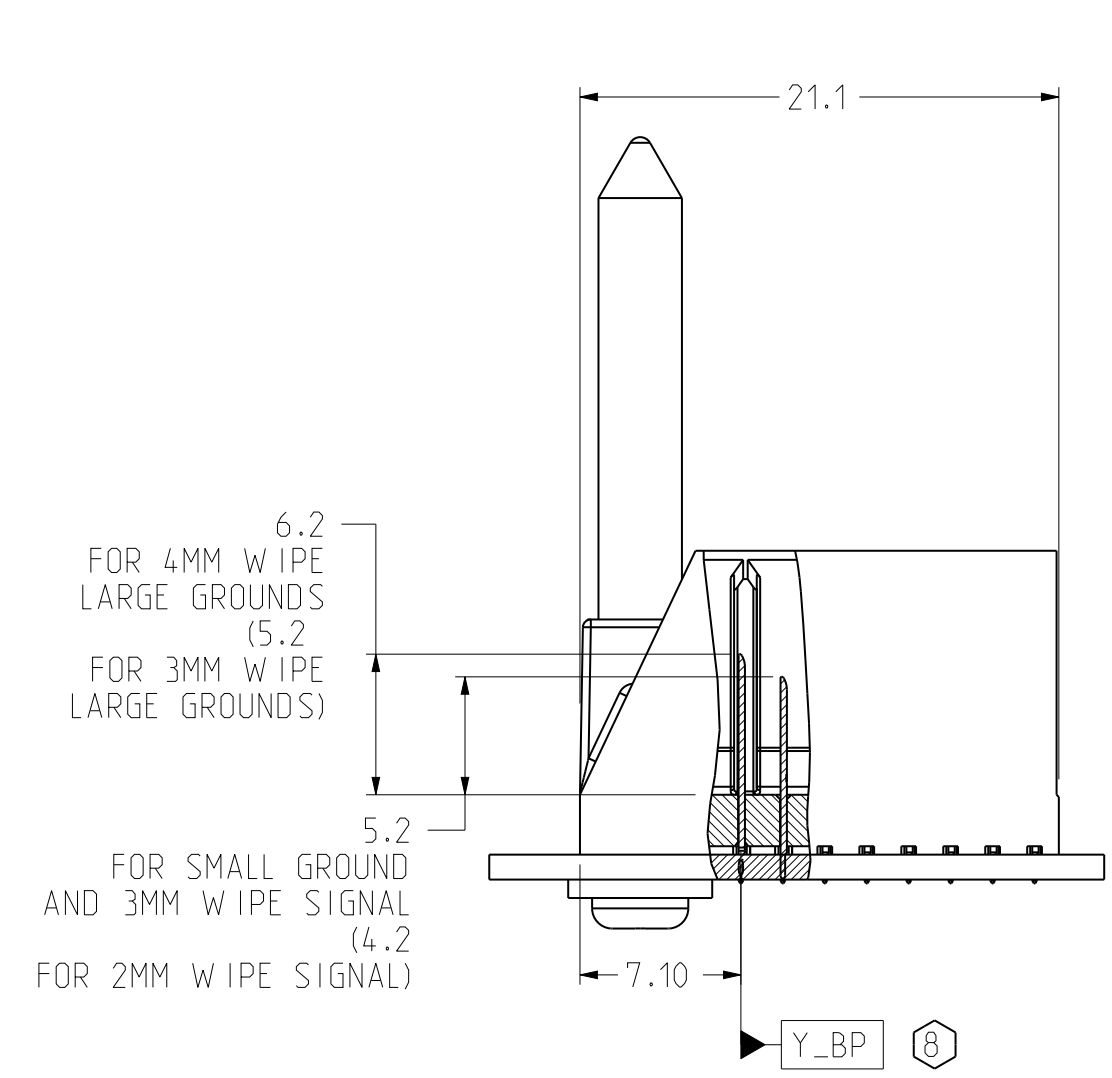
A



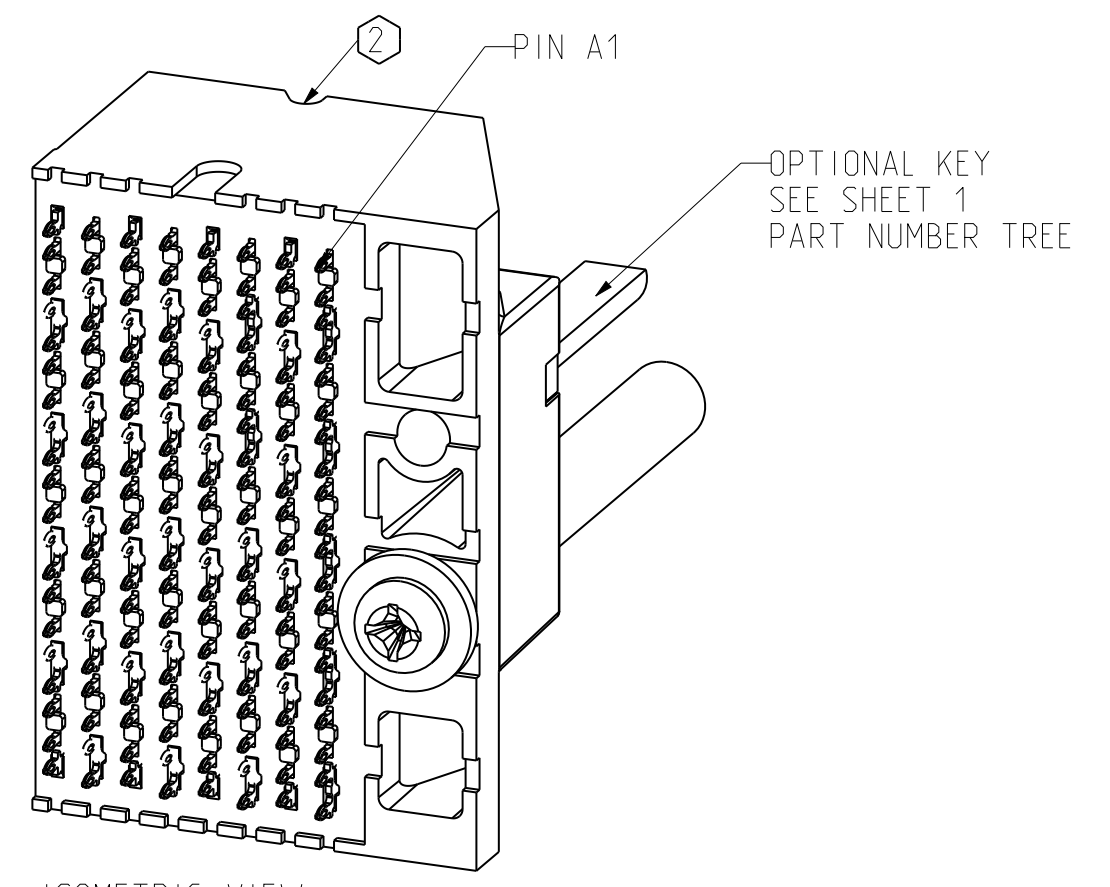
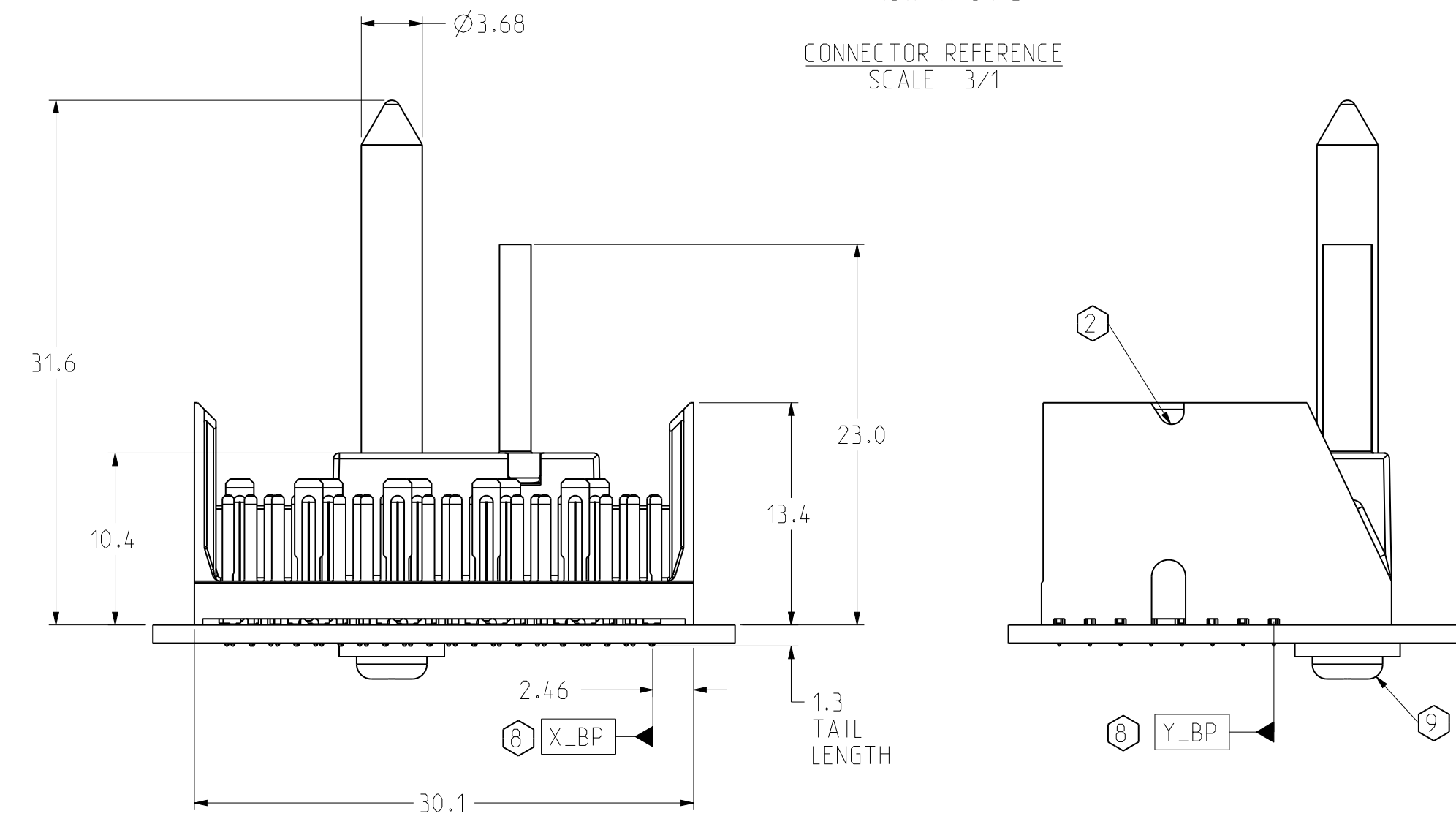
LEFT POLARIZING/GUIDE BACKPLANE MODULE DIMENSION



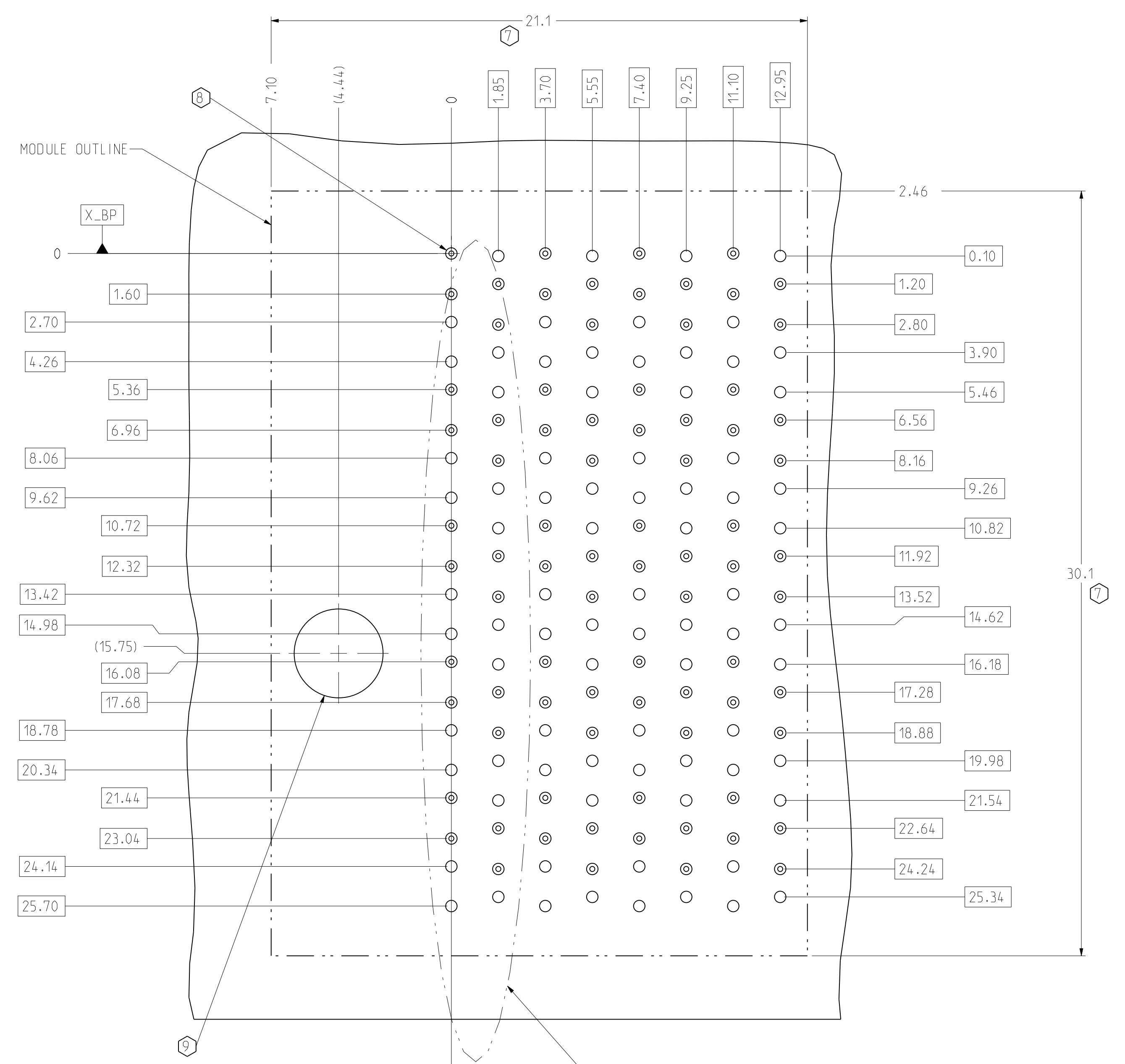
CONNECTOR REFERENCE SCALE 3/1



SECTION Z-Z



ISOMETRIC VIEW SCALE 3/1



BP HOLE PATTERN COMPONENT SIDE SCALE 8/1

LEFT POLARIZING/GUIDE BACKPLANE FOOTPRINT

TOLERANCES	DESIGN 10/29/2008 A.ASTBURY
0.0 ±0.25	DRAWN 02/16/2010 HCL-MH
0.00 ±0.13	CHK 02/16/2010 A.ASTBURY
0.000 ± -	APVD 02/16/2010 D.SMITH
ANGLES ± 3°	

Amphenol TCS
A Division of Amphenol Corporation
200 Innovative Way, Nashua, NH 03062 603.879.3000

TITLE
BACKPLANE MODULES, VERTICAL MALE HEADER
XCede, 5 PAIR B POSITION

PART NO. SEE PN TREE SHEET 1
DRAWING NO. C951-500E-500

PROE ASSEM Q1109-CONNECTORS-8WF-LTPOL
C951-500E-500.drw

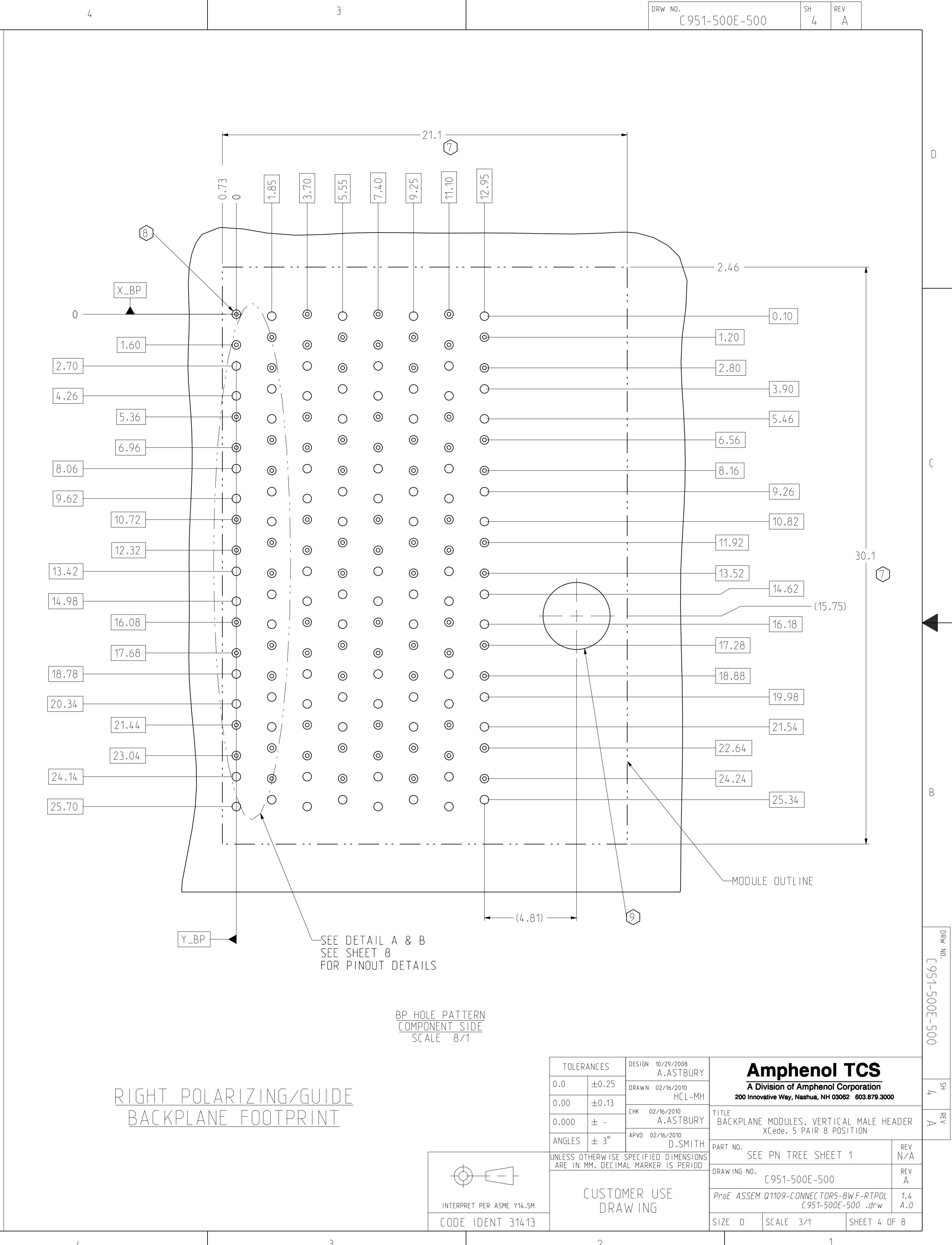
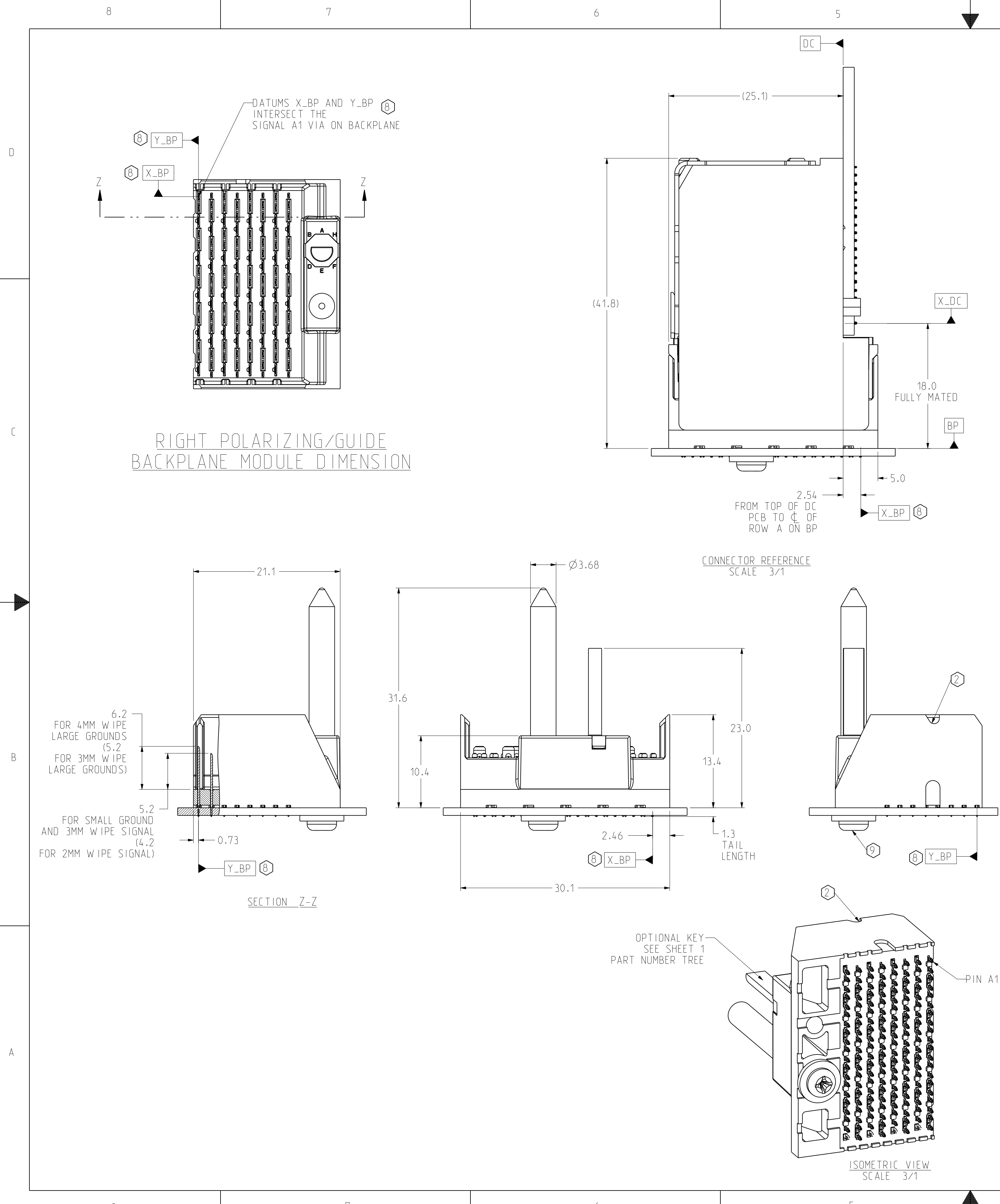
SIZE D SCALE 3/1 SHEET 3 OF 8

INTERPRET PER ASME Y14.5M
CODE IDENT 31413

CUSTOMER USE
DRAWING

DRW NO. C951-500E-500

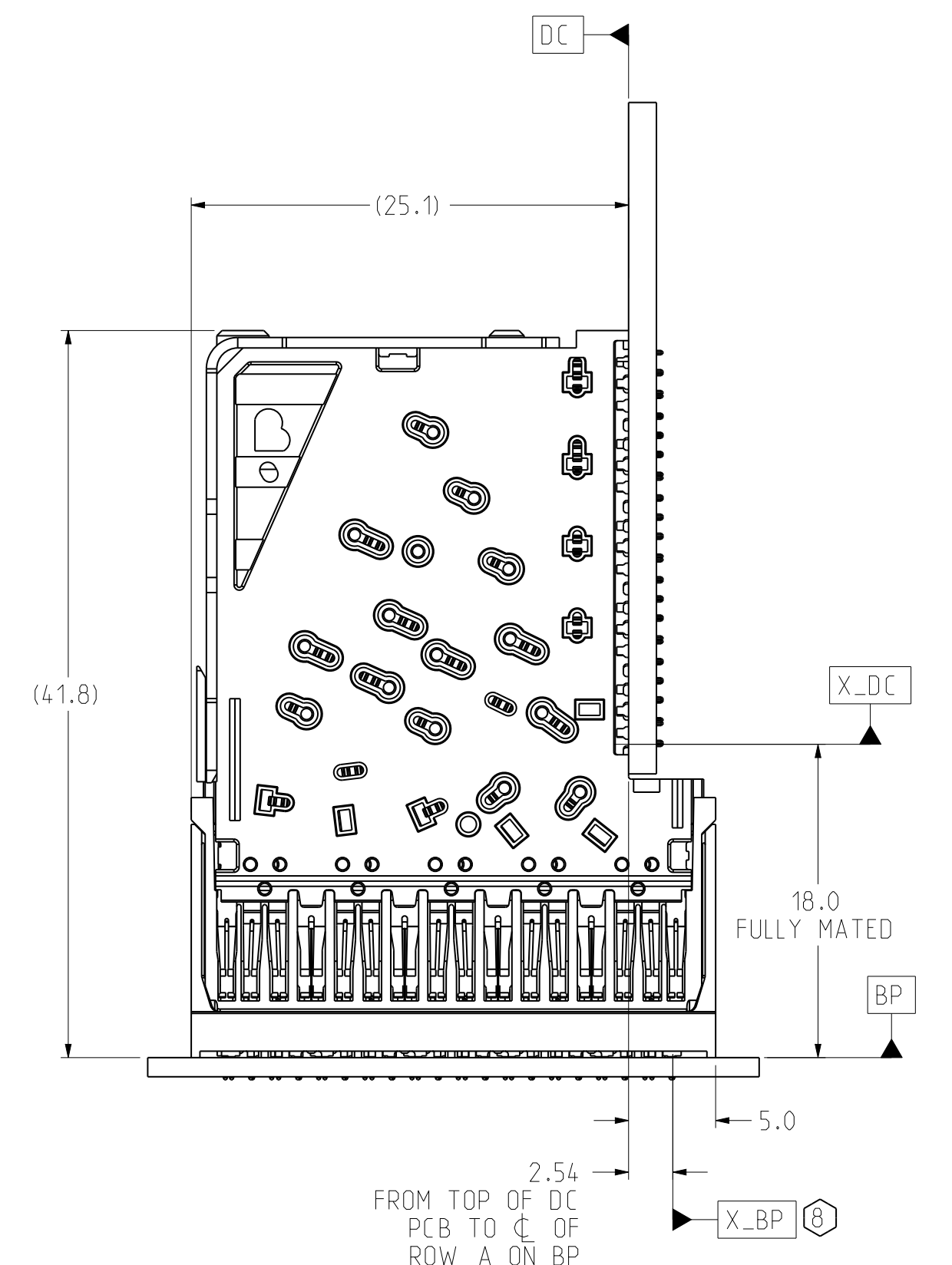
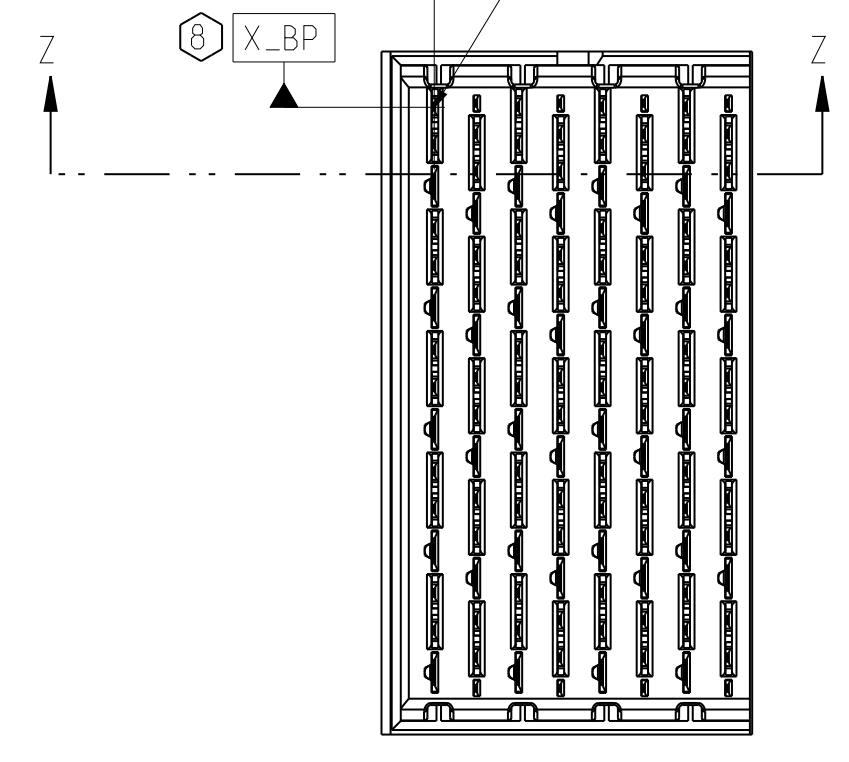
SH 3 REV A



TOLERANCES		DESIGN 10/29/2008 A.ASTBURY	Amphenol TCS A Division of Amphenol Corporation 200 Innovative Way, Nashua, NH 03062 603.879.3000
0.0	±0.25	DRAWN 02/16/2010 HCL-MH	
0.00	±0.13	CHK 02/16/2010 A.ASTBURY	
0.000	±	APVD 02/16/2010 D.SMITH	
ANGLES ± 3°		TITLE BACKPLANE MODULES, VERTICAL MALE HEADER XCede, 5 PAIR B POSITION	
UNLESS OTHERWISE SPECIFIED DIMENSIONS ARE IN MM. DECIMAL MARKER IS PERIOD			PART NO. SEE PN TREE SHEET 1
DRAWING NO. C951-500E-500			REV N/A
ProE ASSEMBLY Q1109-CONNECTORS-BW-F-RTPOL C951-500E-500.drw			REV A
SIZE D	SCALE 3/1	SHEET 4 OF 8	

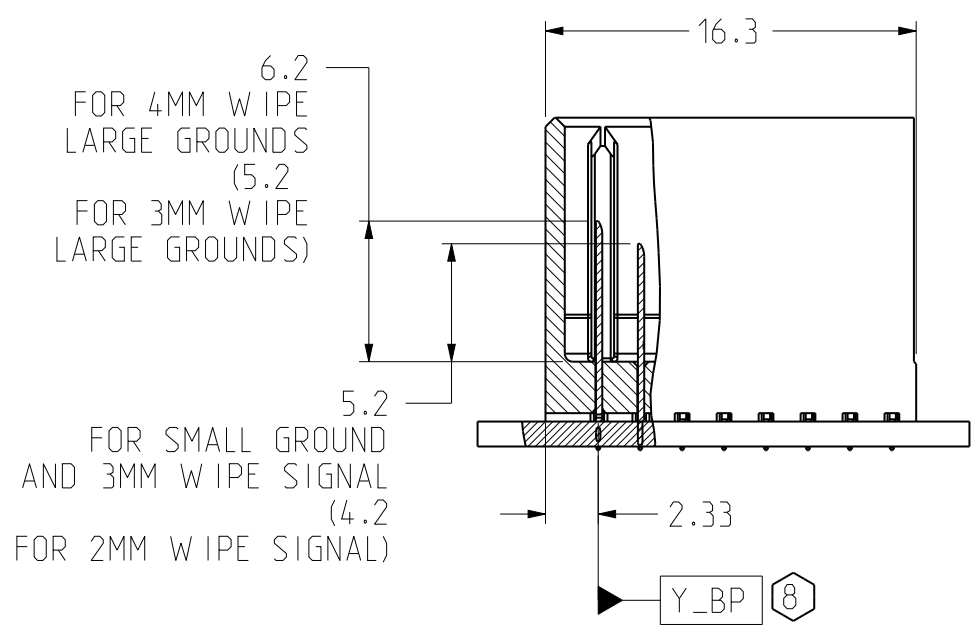
005-500E-500

DATUMS X_BP AND Y_BP INTERSECT THE SIGNAL A1 VIA ON BACKPLANE

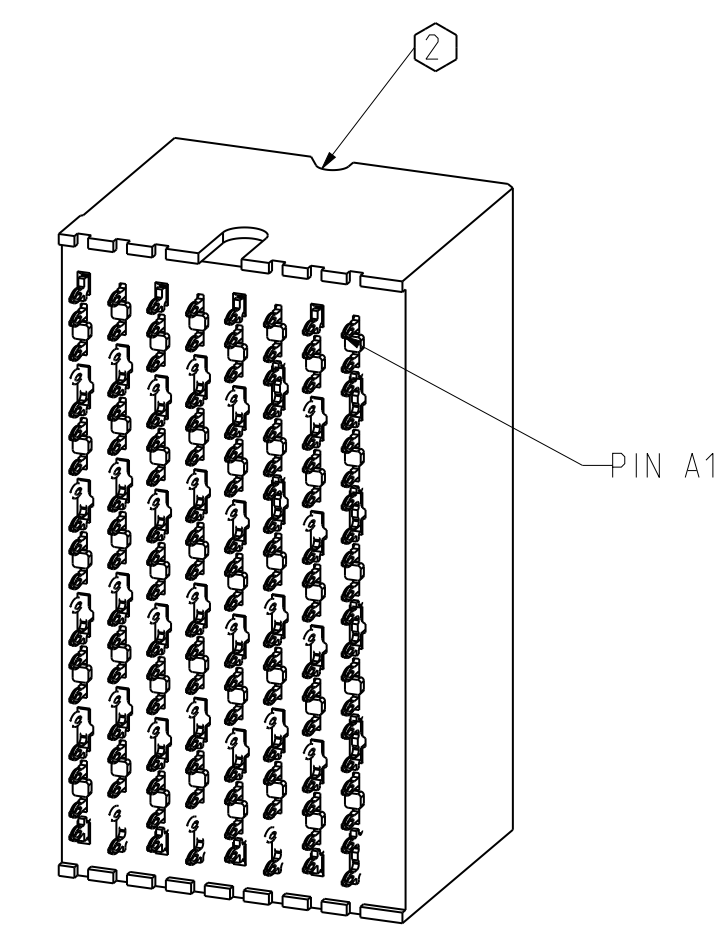
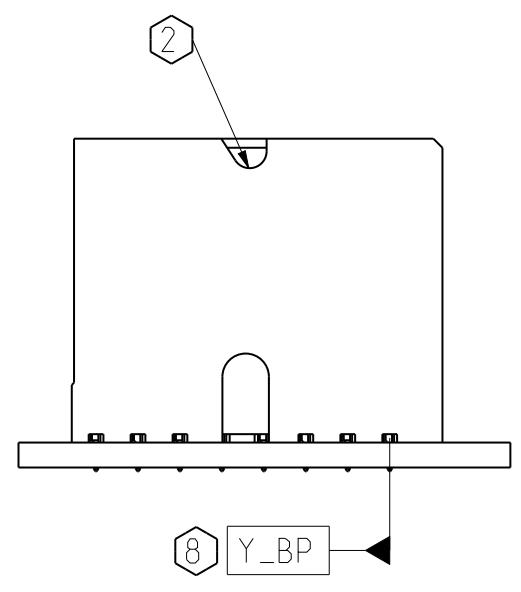
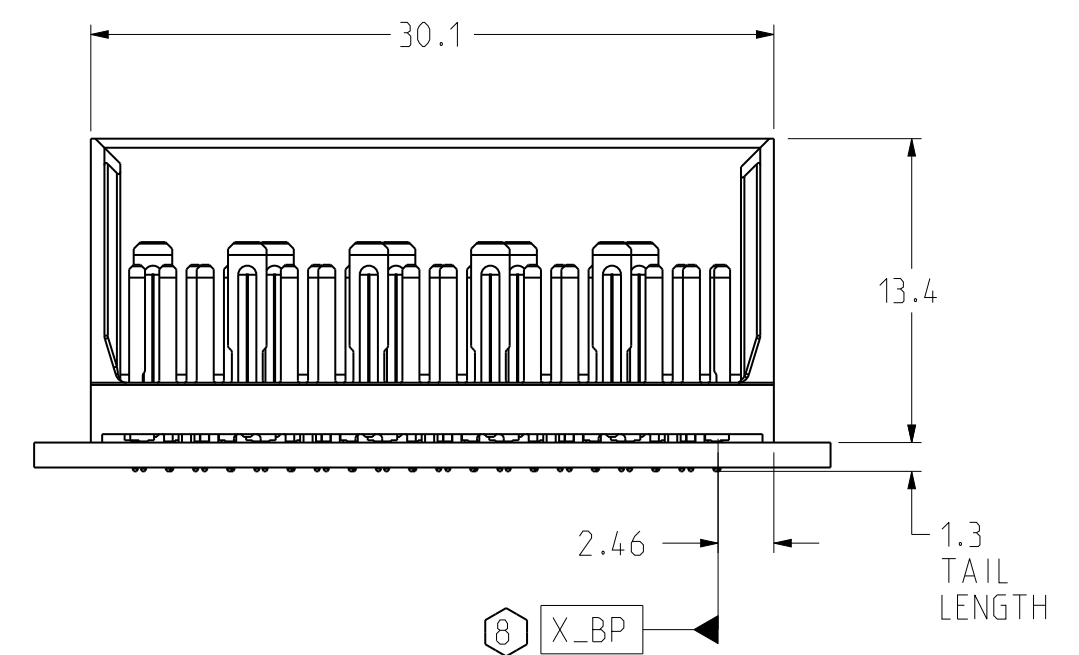


CONNECTOR REFERENCE SCALE 3/1

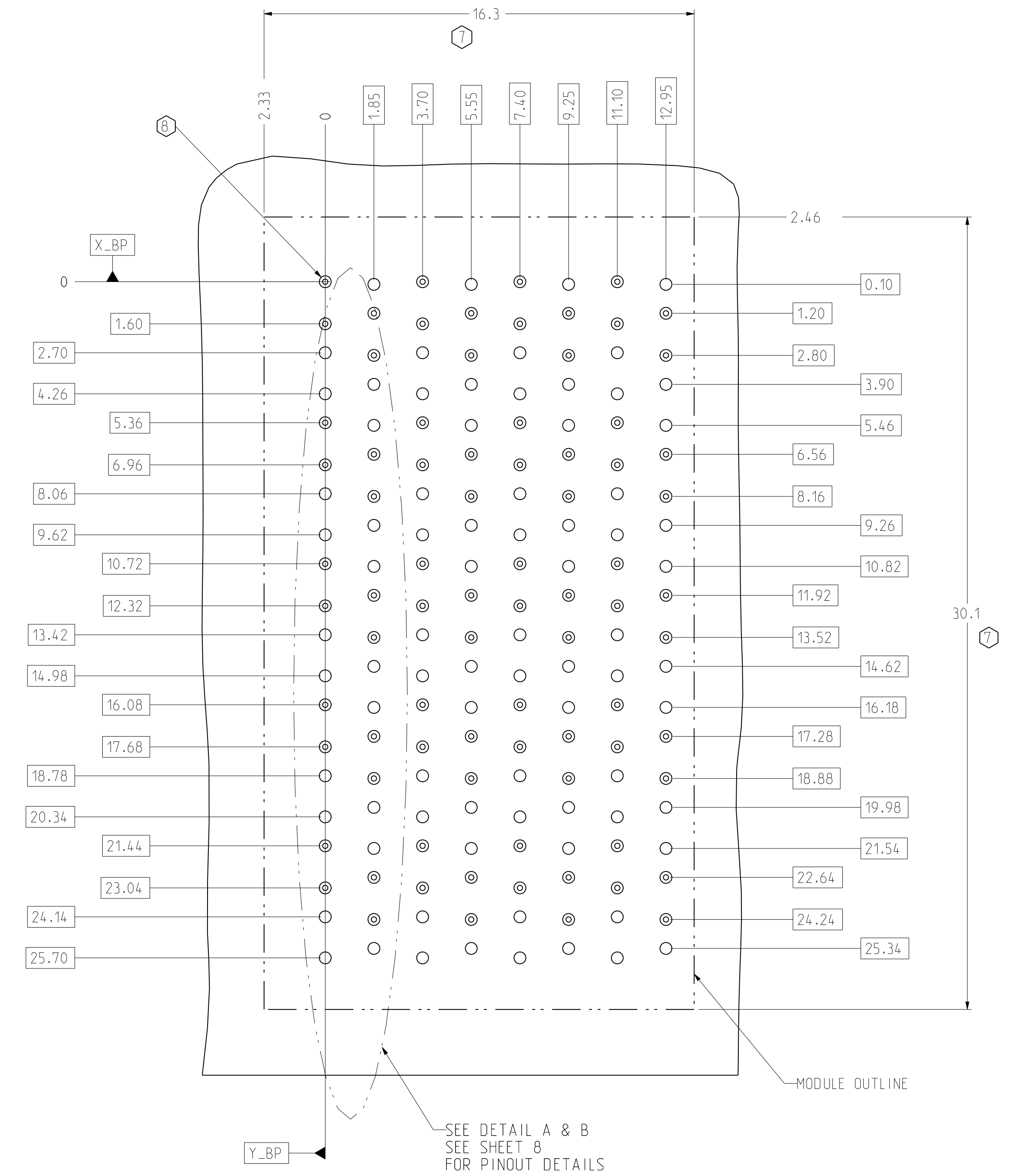
LEFT WALL BACKPLANE MODULE DIMENSION



SECTION Z-Z



ISOMETRIC VIEW SCALE 3/1



BP HOLE PATTERN COMPONENT SIDE SCALE 8/1

LEFT WALL BACKPLANE FOOTPRINT

TOLERANCES	DESIGN 10/29/2008 A.ASTBURY	Amphenol TCS A Division of Amphenol Corporation 200 Innovative Way, Nashua, NH 03062 603.879.3000	
0.0 ±0.25	DRAWN 02/16/2010 HCL-MH	TITLE	BACKPLANE MODULES, VERTICAL MALE HEADER XCede, 5 PAIR B POSITION
0.00 ±0.13	CHK 02/16/2010 A.ASTBURY	PART NO.	SEE PN TREE SHEET 1
0.000 ± -	APVD 02/16/2010 D.SMITH	DRAWING NO.	C951-500E-500
ANGLES ± 3°		PROF	ASSEM 01109-CONNECTORS-BWFLTWALL C951-500E-500 .drg
UNLESS OTHERWISE SPECIFIED DIMENSIONS ARE IN MM. DECIMAL MARKER IS PERIOD		SIZE	D
INTERPRET PER ASME Y14.5M		SCALE	3/1
CODE IDENT 31413		SHEET	5 OF 8

CUSTOMER USE DRAWING

005-1561-500

SH 5 REV A

8

7

6

5

4

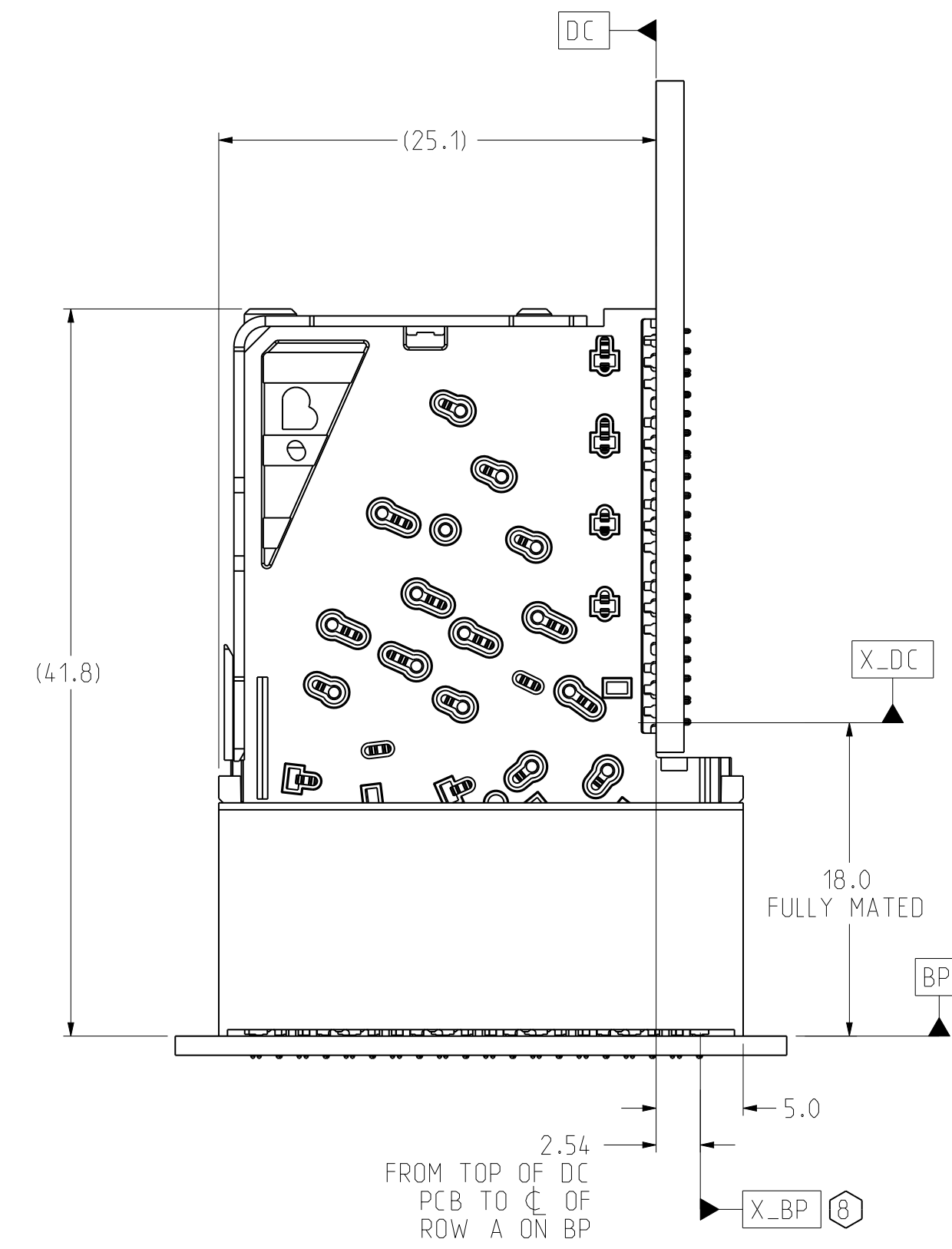
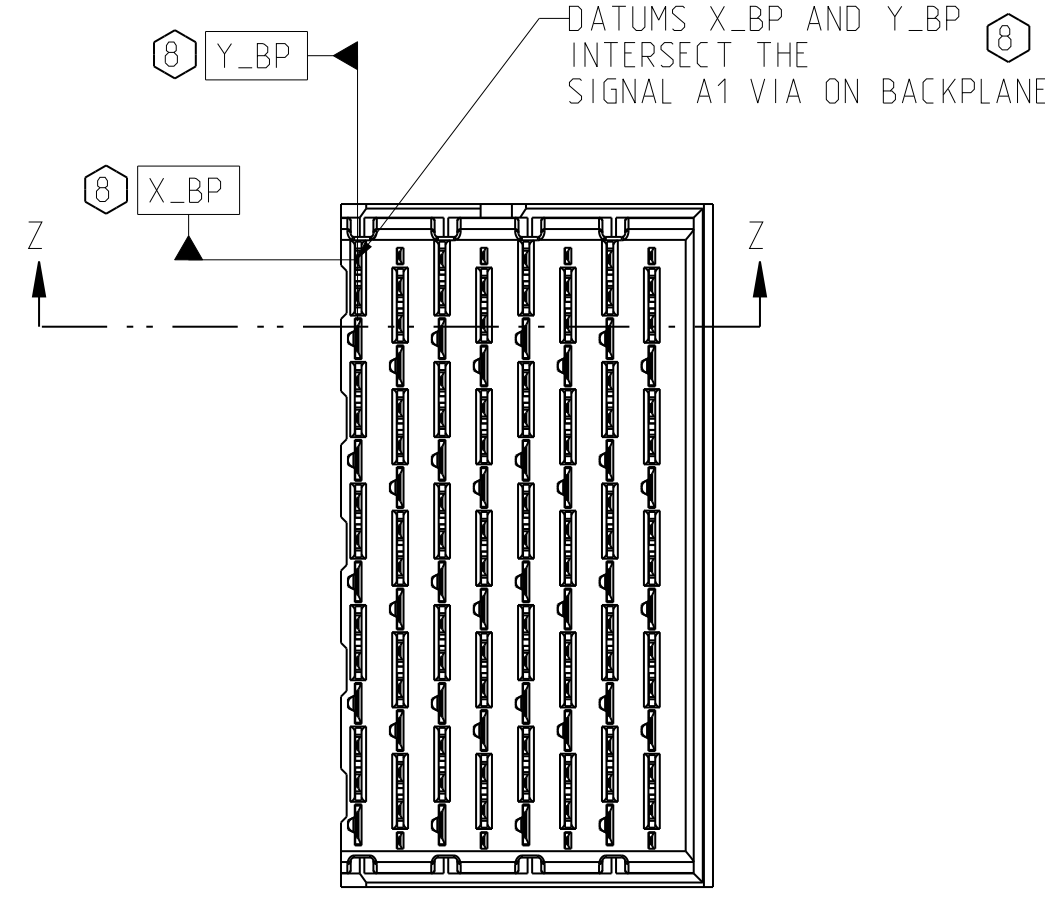
3

D

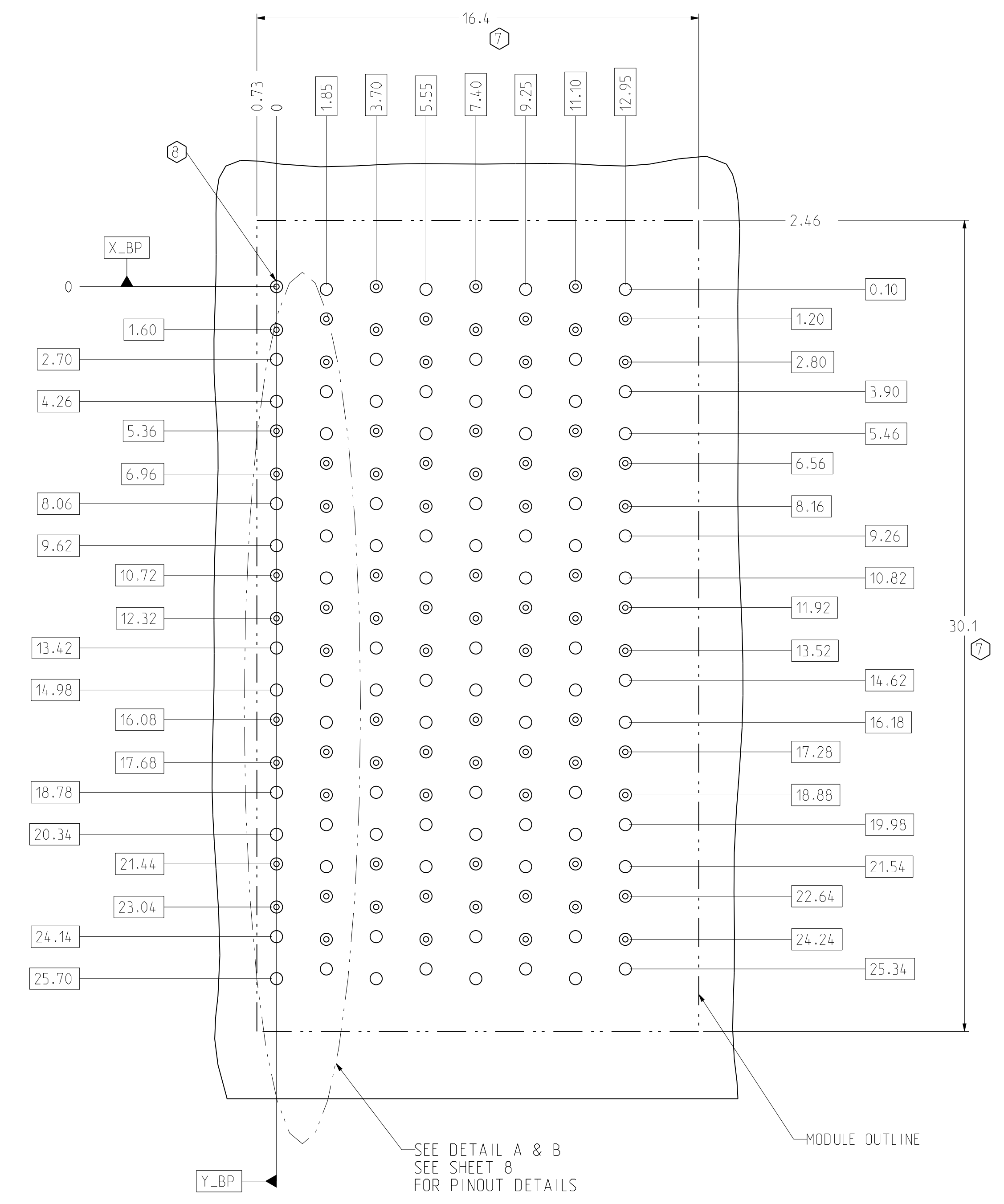
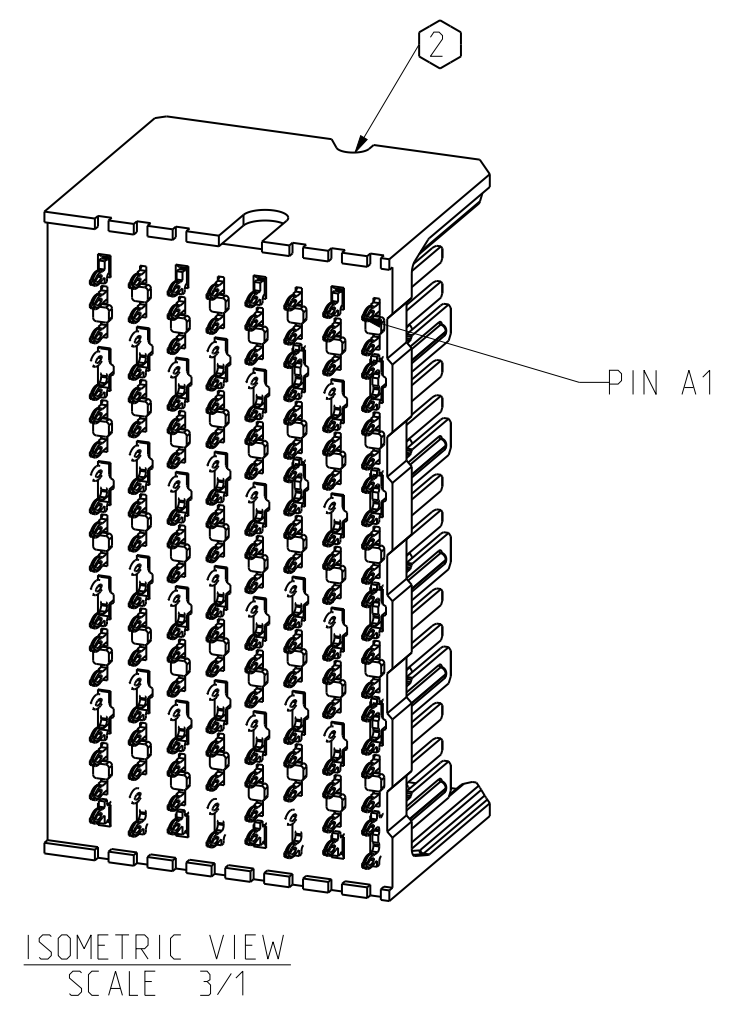
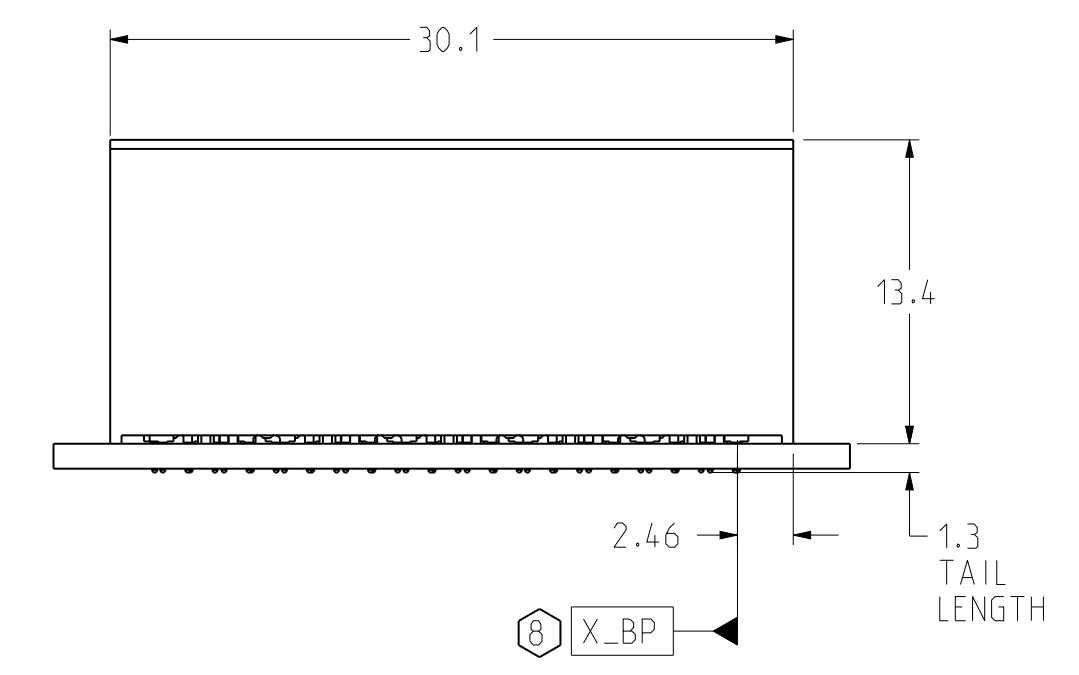
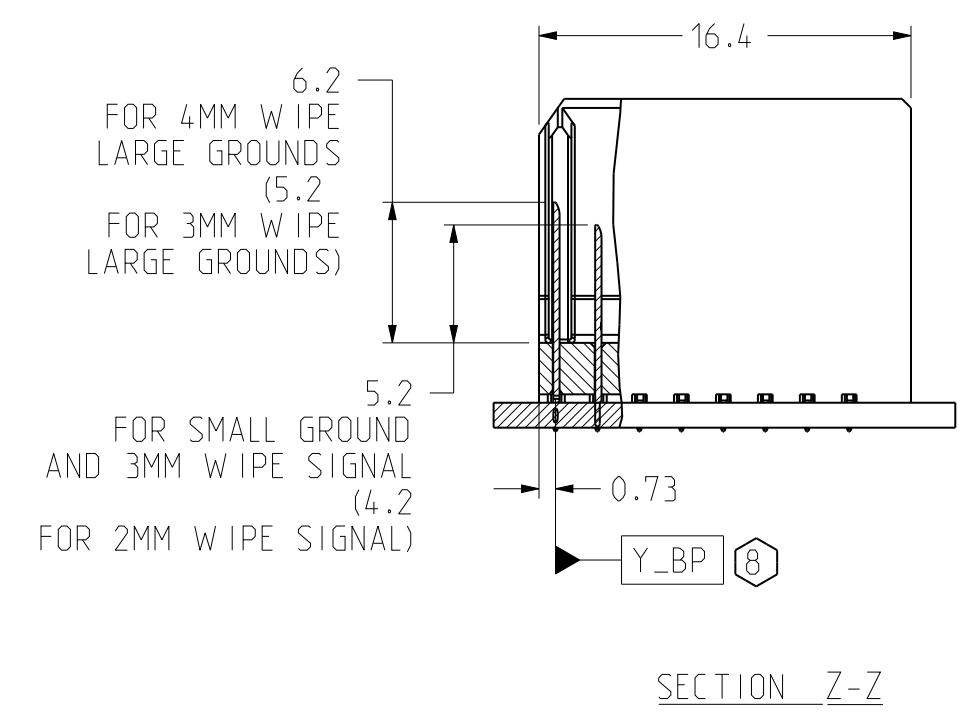
C

B

A

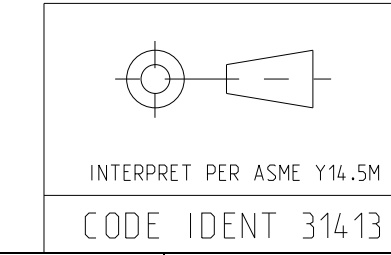


RIGHT WALL BACKPLANE MODULE DIMENSION



RIGHT WALL BACKPLANE FOOTPRINT

TOLERANCES		DESIGN 10/29/2008 A.ASTBURY	Amphenol TCS A Division of Amphenol Corporation 200 Innovative Way, Nashua, NH 03062 603.879.3000 TITLE BACKPLANE MODULES, VERTICAL MALE HEADER XCede, 5 PAIR B POSITION PART NO. SEE PN TREE SHEET 1 DRAWING NO. C951-500E-500 ProE ASSEM Q1109-CONNECTORS-8WF-RTWALL C951-500E-500.drw SIZE D SCALE 3/1 SHEET 6 OF 8
0.0	±0.25	DRAWN 02/16/2010 HCL-MH	
0.00	±0.13	CHK 02/16/2010 A.ASTBURY	
0.000	± -	APVD 02/16/2010 D.SMITH	
ANGLES	± 3°		
UNLESS OTHERWISE SPECIFIED DIMENSIONS ARE IN MM. DECIMAL MARKER IS PERIOD			REV N/A
CUSTOMER USE DRAWING			REV A



005-1500E-500

SH 6 REV A

8

7

6

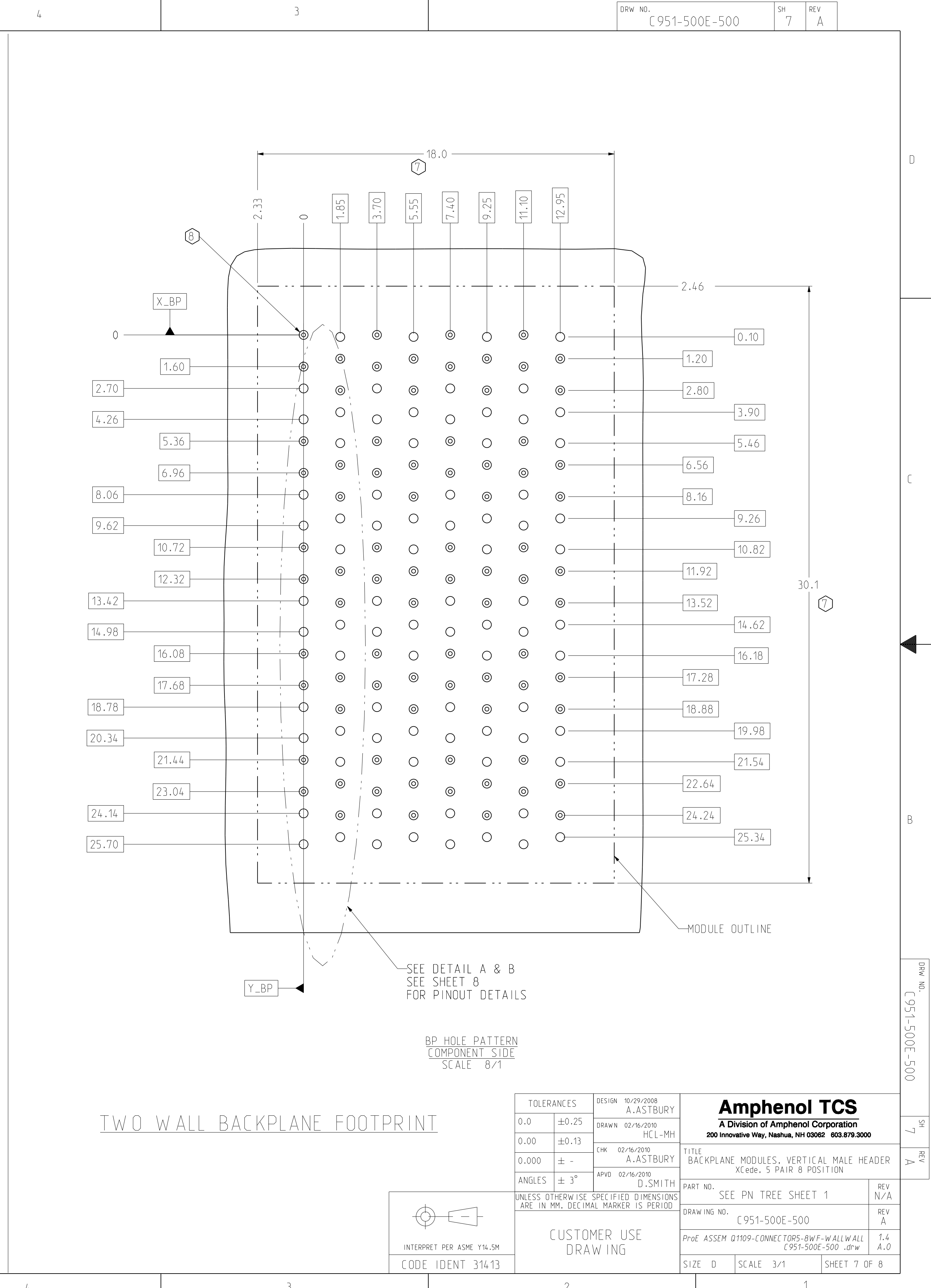
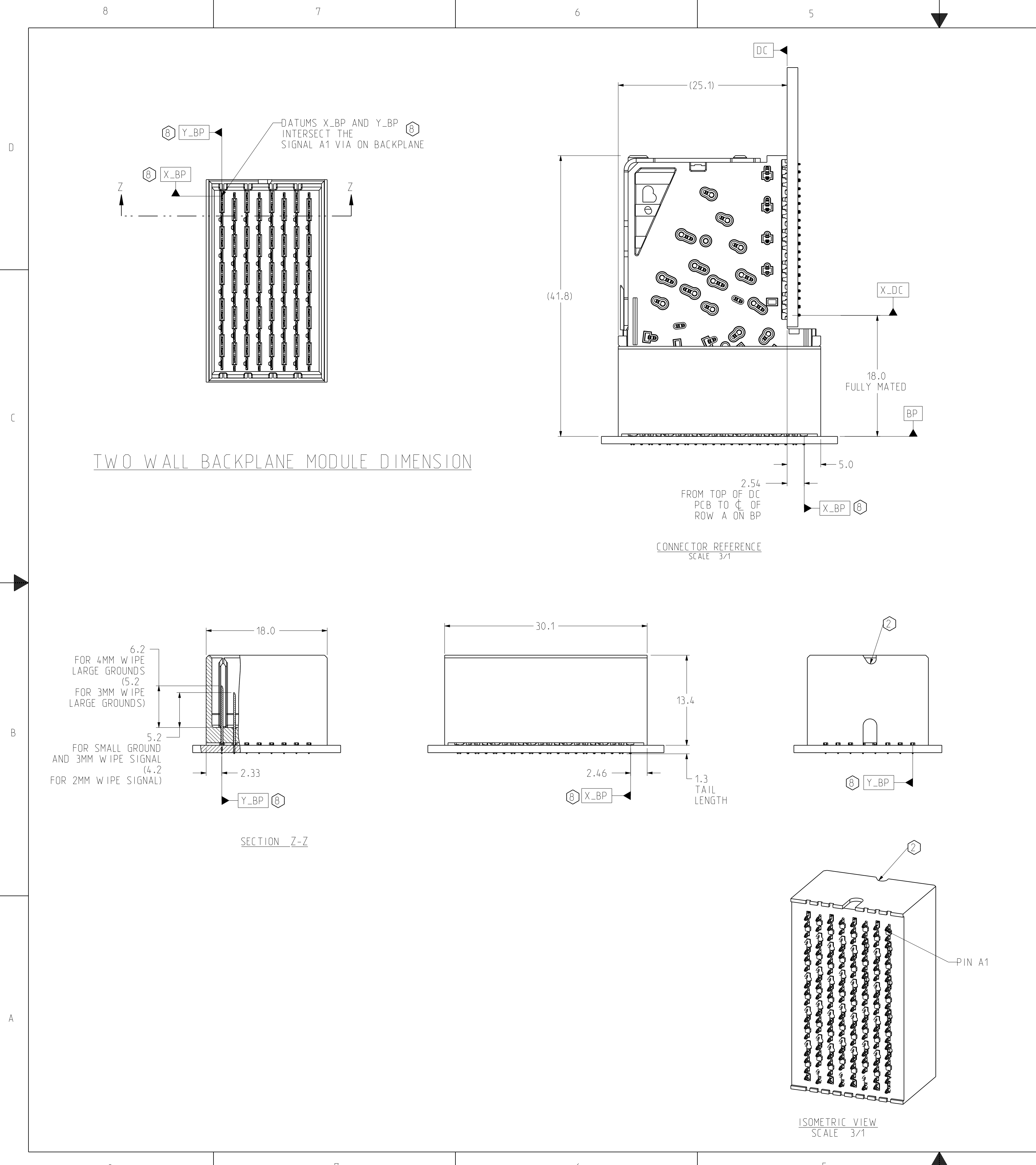
5

4

3

2

1



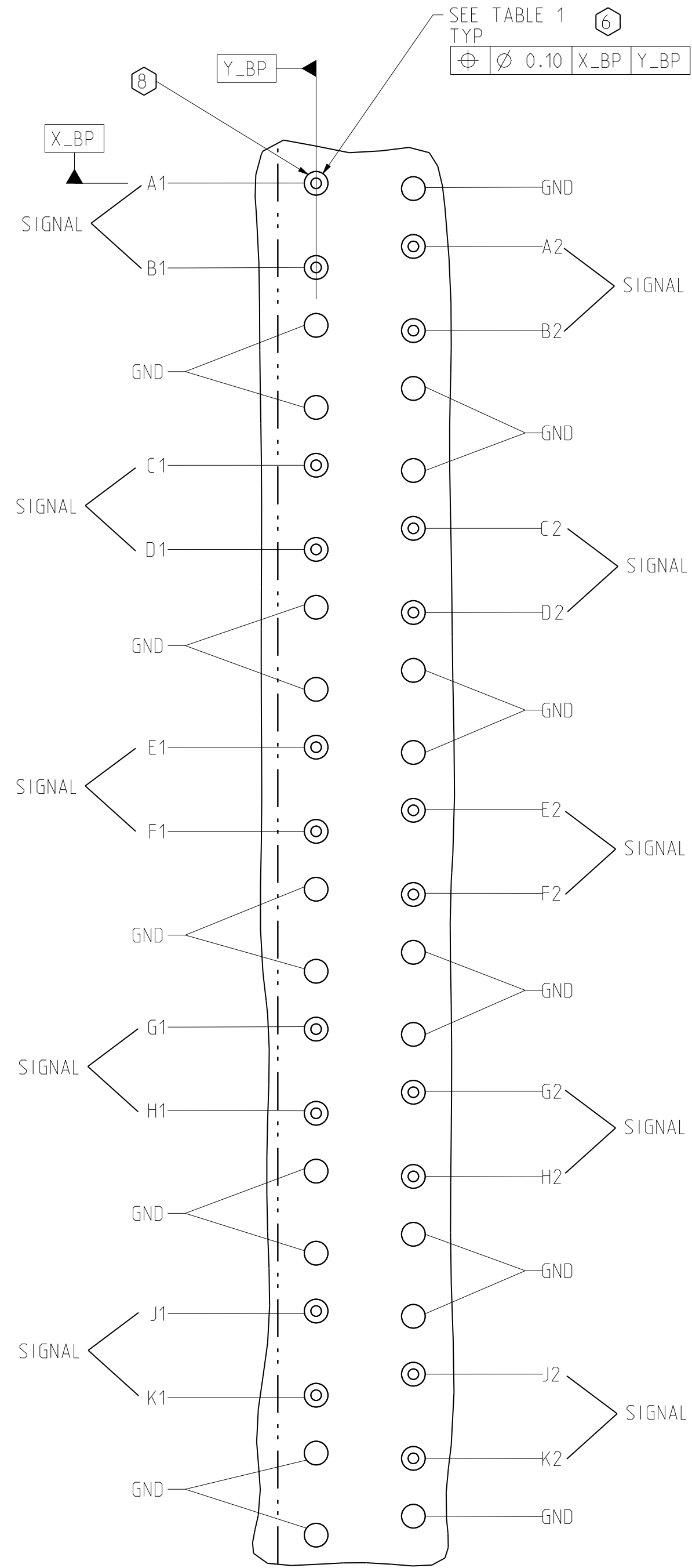
TOLERANCES		DESIGN 10/29/2008 A.ASTBURY	Amphenol TCS A Division of Amphenol Corporation 200 Innovative Way, Nashua, NH 03062 603.879.3000
0.0	±0.25	DRAWN 02/16/2010 HCL-MH	
0.00	±0.13	CHK 02/16/2010 A.ASTBURY	
0.000	± -	APVD 02/16/2010 D.SMITH	
ANGLES	± 3°		
UNLESS OTHERWISE SPECIFIED DIMENSIONS ARE IN MM. DECIMAL MARKER IS PERIOD			TITLE BACKPLANE MODULES, VERTICAL MALE HEADER Xcede, 5 PAIR 8 POSITION
PART NO.		SEE PN TREE SHEET 1	REV N/A
DRAWING NO.		C951-500E-500	REV A
PROJ ASSEM 01109-CONNECTORS-BWF-WALLWALL		C951-500E-500.drw	1.4 A.O
SIZE D	SCALE 3/1	SHEET 7 OF 8	

INTERPRET PER ASME Y14.5M
CODE IDENT 31413

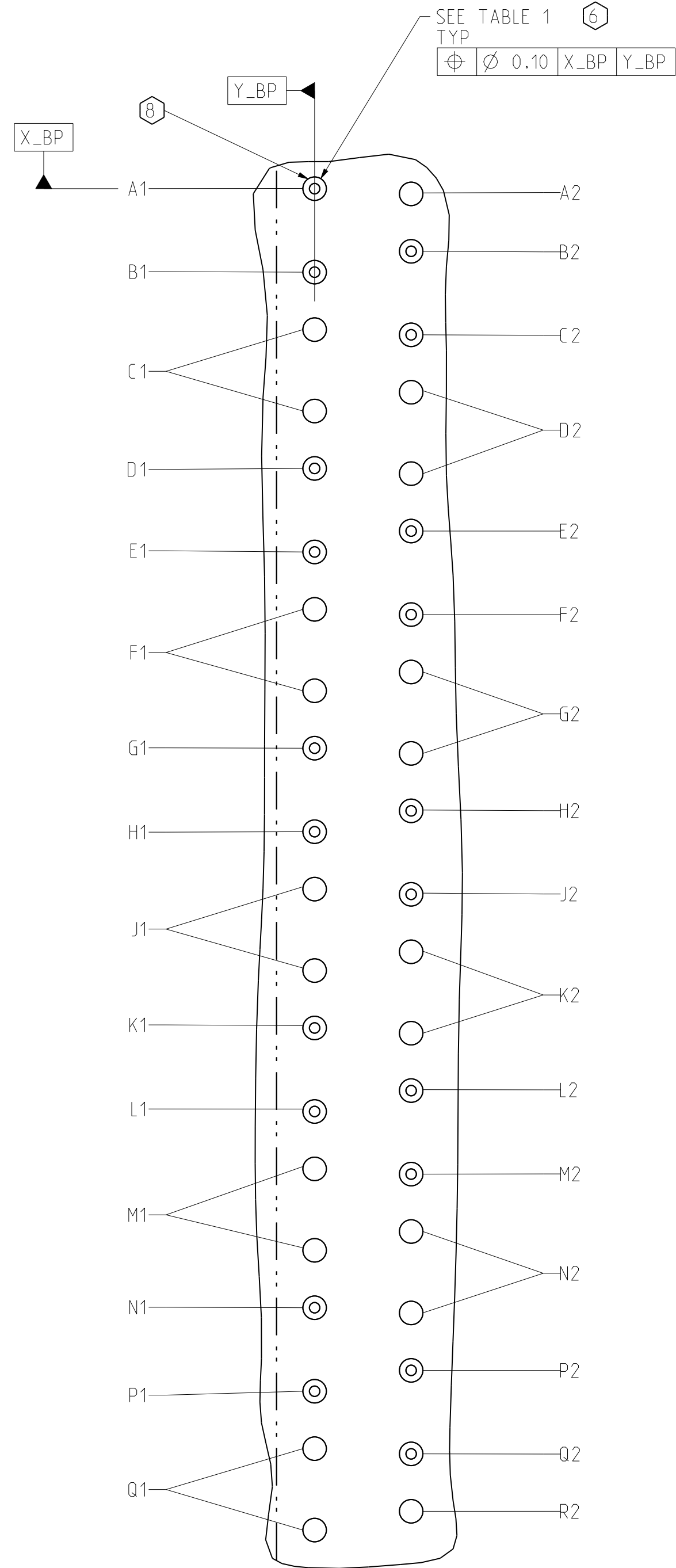
CUSTOMER USE
DRAWING

DRW NO. C951-500E-500

SH 7 REV A



DETAIL A
HSD PINOUTS
SCALE 12/1



DETAIL B
LC PINOUTS
SCALE 12/1

TABLE 1		
	COMPLIANT PIN DRILL $\varnothing 0.0217''$	COMPLIANT PIN DRILL $\varnothing 0.0177''$
PTH	$\varnothing 0.45 \pm 0.05$	$\varnothing 0.36 \pm 0.05$
DRILL	$\varnothing 0.55 [0.0217'']$	$\varnothing 0.45 [0.0177'']$
PAD	$\varnothing 0.85$	$\varnothing 0.75$

TOLERANCES		DESIGN 10/29/2008 A.ASTBURY	Amphenol TCS A Division of Amphenol Corporation 200 Innovative Way, Nashua, NH 03062 603.879.3000	TITLE BACKPLANE MODULES, VERTICAL MALE HEADER XCede, 5 PAIR B POSITION		
0.0	± 0.25	DRAWN 02/16/2010 HCL-MH		PART NO.	SEE PN TREE SHEET 1	REV N/A
0.00	± 0.13	CHK 02/16/2010 A.ASTBURY		DRAWING NO.	C951-500E-500	REV A
0.000	$\pm -$	APVD 02/16/2010 D.SMITH		ProE ASSEM C951-5--BPS-8WF C951-500E-500 .drtw		1.4 A.O
ANGLES $\pm 3^\circ$		UNLESS OTHERWISE SPECIFIED DIMENSIONS ARE IN MM. DECIMAL MARKER IS PERIOD.		SIZE D	SHEET 8 OF 8	
INTERPRET PER ASME Y14.5M CODE IDENT 31413			CUSTOMER USE DRAWING			

C951-500E-500

SH 8
REV A